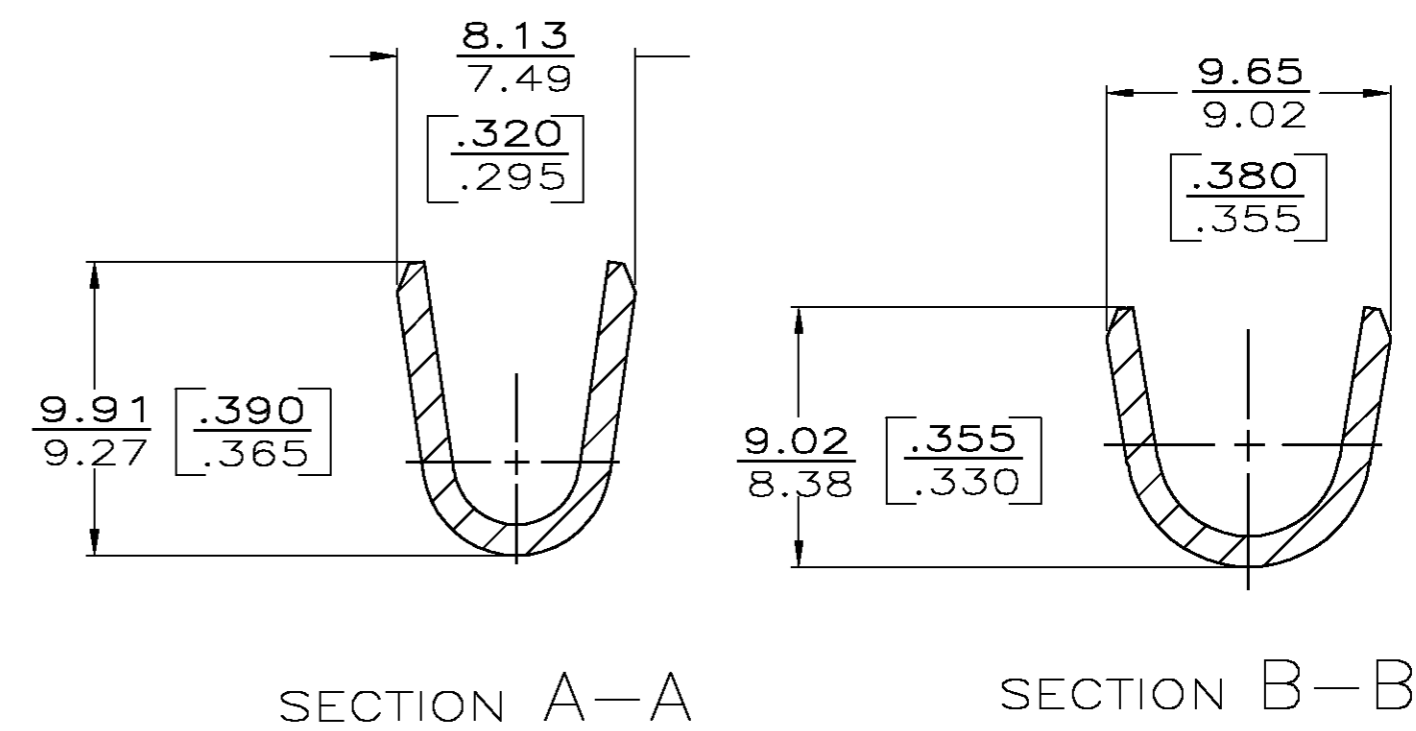
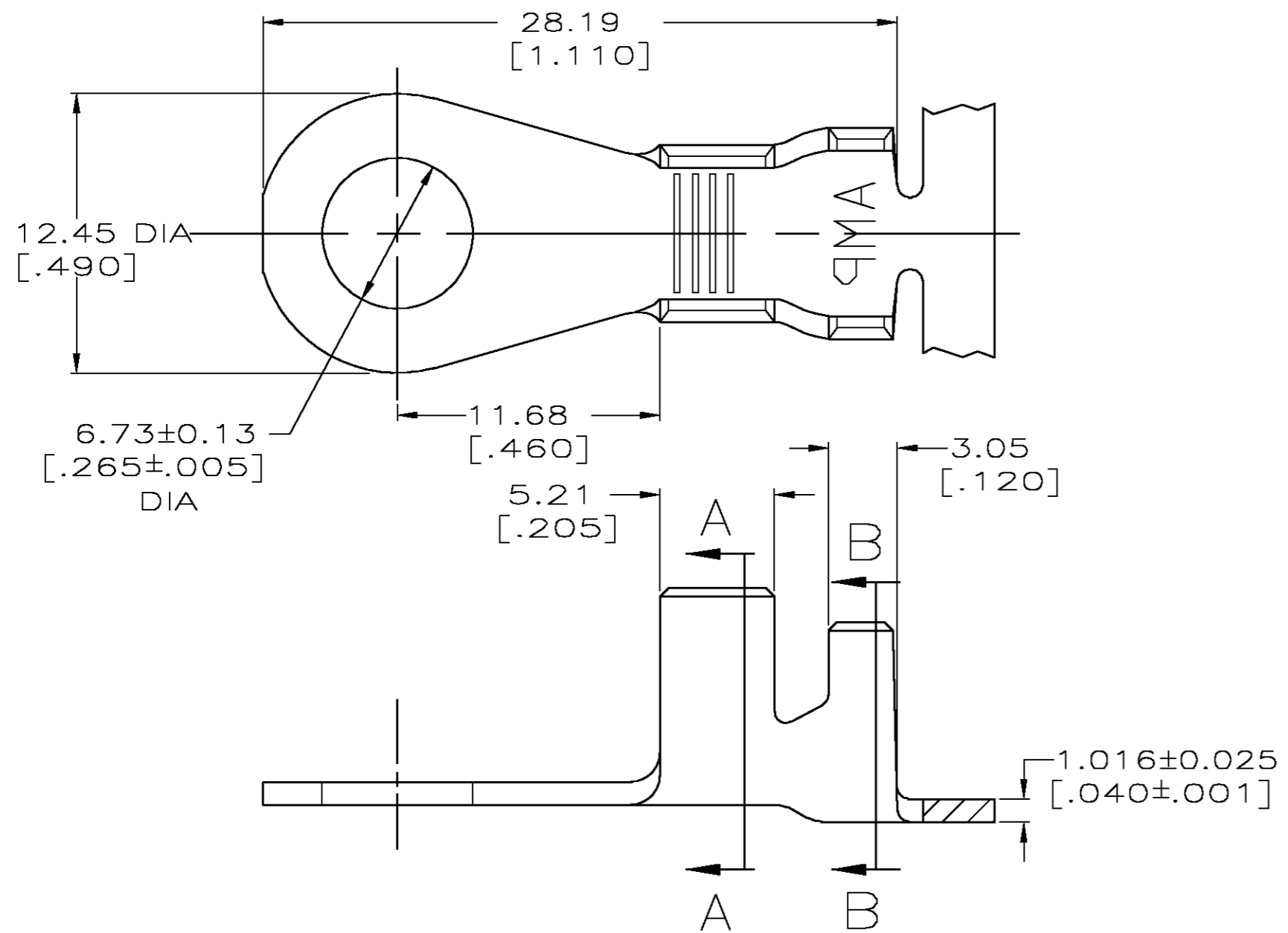


THIS DRAWING IS UNPUBLISHED. RELEASED FOR PUBLICATION
 © COPYRIGHT BY TYCO ELECTRONICS CORPORATION. ALL RIGHTS RESERVED.

LOC	DIST	REVISIONS			
P	LTR	DESCRIPTION	DATE	DWN	APVD
AF	50	K	REV PER 0G3A-0729-03	13NOV03	JR DD

- 1 CONTINUOUS STRIP ON REEL.
- 2 0.002032 [.000080] MIN TIN PL PER MIL-T-10727 OVER 0.001270 [.000050] MIN NICKEL PL PER QQ-N-290.
- 3 REELED OPPOSITE DIRECTION OF -1 P/N.
- 4 REELED WITH INTERLEAVING PAPER
- 5 PRELIMINARY - NOT FOR PRODUCTION



TYPE	WIDTH	STRIP LENGTH	TYPE	WIDTH	HEIGHT	WIRE
F OR O	8.64 [.340]	6.73 [.265]	F	7.11 [.280]	4.70 [.185]	15.0mm [6]
					4.14 [.163]	8.0mm [8]
					3.78 [.149]	5.0mm [10]
INSUL BARREL CRIMP		±0.38 [±.015]	WIRE BARREL CRIMP		±0.051 [±.002]	

FINISH	INSULATION RANGE	WIRE RANGE	PART NO
0.002032 [.000080] MIN TIN PL PER MIL-T-10727	3.68-7.37 [.145-.290] DIA	5.0-15.0mm ² [10-6] AWG	61868-7
0.002032 [.000080] MIN TIN PL PER MIL-T-10727			61868-6
0.002032 [.000080] MIN TIN PL PER MIL-T-10727			61868-5
0.002032 [.000080] MIN TIN PL PER MIL-T-10727			61868-4
0.002032 [.000080] MIN TIN PL PER MIL-T-10727			61868-2
0.002032 [.000080] MIN TIN PL PER MIL-T-10727			61868-1

THIS DRAWING IS A CONTROLLED DOCUMENT.

DWN P FORTNEY	7/25/91	Tyco Electronics Corporation Harrisburg, PA 17105
CHK JR RUTH	7/25/91	
APVD D DECKER	7/25/91	

NAME: RING

SIZE A2	CAGE CODE 00779	DRAWING NO C=61868	RESTRICTED TO
CUSTOMER DRAWING		SCALE 4:1	SHEET 1 OF 1